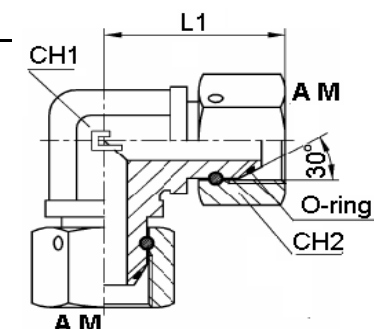


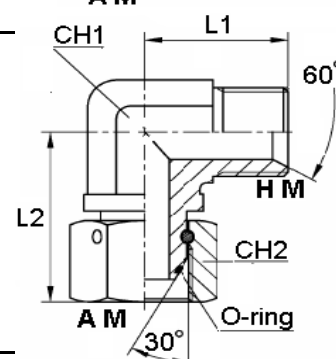
# VISOKOTLAČNI NIPELI I REDUKCIJE - KUTNI

Tip	Oznaka PARKER	Napomena
-----	------------------	----------

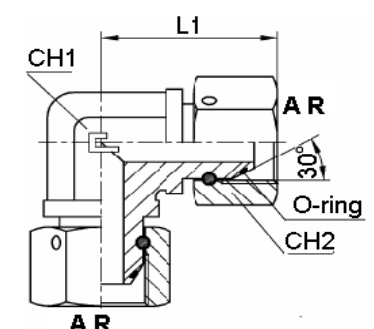
A M L90K A M	-	-
A M12x1,5 L90K A M12x1,5		
A M14x1,5 L90K A M14x1,5		
A M16x1,5 L90K A M16x1,5		
A M18x1,5 L90K A M18x1,5		
A M22x1,5 L90K A M22x1,5		
A M26x1,5 L90K A M26x1,5		
A M30x1,5 L90K A M30x1,5		



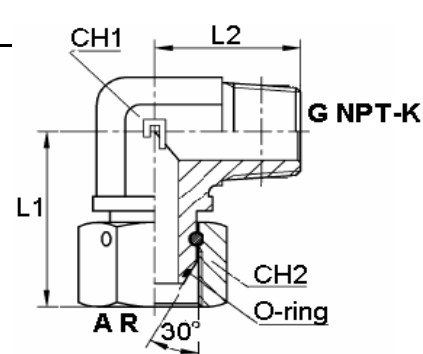
A M L90K H M	-	-
A M12x1,5 L90K H M12x1,5		
A M14x1,5 L90K H M14x1,5		
A M16x1,5 L90K H M16x1,5		
A M18x1,5 L90K H M18x1,5		
A M22x1,5 L90K H M22x1,5		
A M26x1,5 L90K H M26x1,5		
A M30x1,5 L90K H M30x1,5		



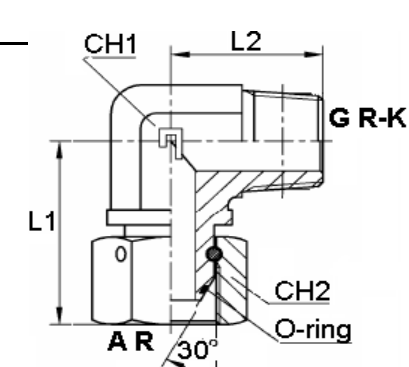
A R L90K A R	-	-
A R 1/8" L90K A R 1/8"		
A R 1/4" L90K A R 1/4"		
A R 3/8" L90K A R 3/8"		
A R 1/2" L90K A R 1/2"		
A R 5/8" L90K A R 5/8"		
A R 3/4" L90K A R 3/4"		
A R1" L90K A R1"		
A R1.1/4" L90K A R1.1/4"		
A R1.1/2" L90K A R1.1/2"		
A R2" L90K A R2"		



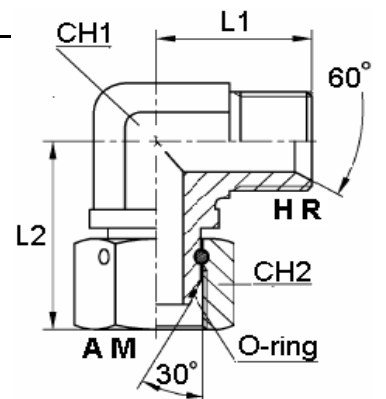
A R L90K G NPT-K	-	-
A R 1/8" L90K G NPT 1/8"K		
A R 1/4" L90K G NPT 1/4"K		
A R 3/8" L90K G NPT 3/8"K		
A R 1/2" L90K G NPT 1/2"K		
A R 5/8" L90K G NPT 1/2"K		
A R 3/4" L90K G NPT 3/4"K		
A R1" L90K G NPT1"K		
A R1.1/4" L90K G NPT1.1/4"K		
A R1.1/2" L90K G NPT1.1/2"K		
A R2" L90K G NPT2"K		



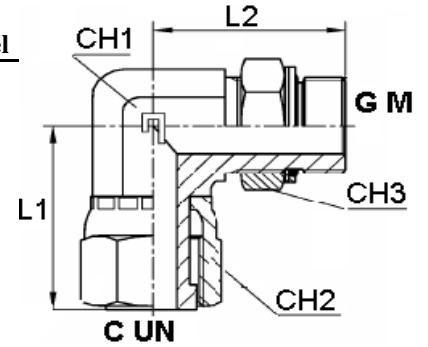
A R L90K G R-K	-	-
A R 1/8" L90K G R 1/8"K		
A R 1/4" L90K G R 1/4"K		
A R 3/8" L90K G R 3/8"K		
A R 1/2" L90K G R 1/2"K		
A R 5/8" L90K G R 1/2"K		
A R 3/4" L90K G R 3/4"K		
A R1" L90K G R1"K		
A R1.1/4" L90K G R1.1/4"K		
A R1.1/2" L90K G R1.1/2"K		
A R2" L90K G R2"K		



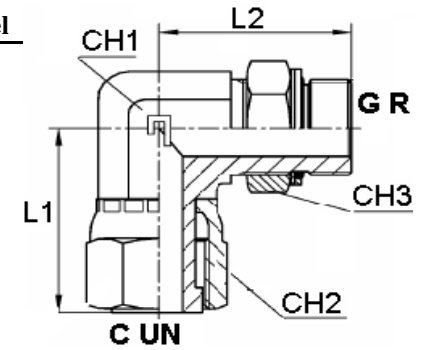
<b>A R L90K HR</b>	-	-
A R 1/8" L90K HR 1/8"		
A R 1/4" L90K HR 1/4"		
A R 3/8" L90K HR 3/8"		
A R 1/2" L90K HR 1/2"		
A R 5/8" L90K HR 5/8"		
A R 3/4" L90K HR 3/4"		
A R 1" L90K HR 1"		
A R 1.1/4" L90K HR 1.1/4"		
A R 1.1/2" L90K HR 1.1/2"		
A R 2" L90K HR 2"		



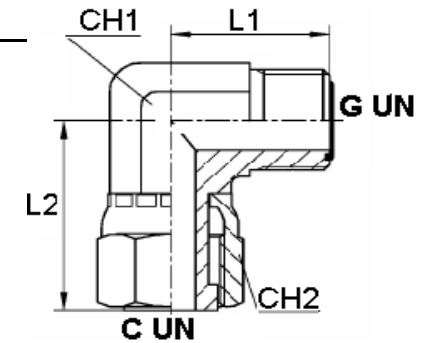
<b>C UN/UNF/UNS L90K G M</b>	-	podesivi nipel
C UNF 9/16" L90K G M12x1,5 pds		
C UN 11/16" L90K G M14x1,5 pds		
C UN 13/16" L90K G M18x1,5 pds		
C UNS1" L90K G M22x1,5 pds		
C UN 1. 3/16" L90K G M27x2 pds		
C UN 1. 7/16" L90K G M33x2 pds		
C UN 1.11/16" L90K G M42x2 pds		
C UN 2" L90K G M48x2 pds		



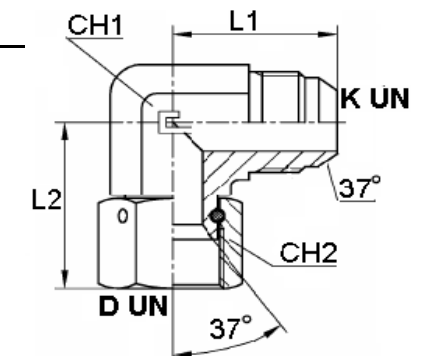
<b>C UN/UNF/UNS L90K G R</b>	-	podesivi nipel
C UNF 9/16" L90K G R 1/8" pds		
C UN 11/16" L90K G R 1/4" pds		
C UN 13/16" L90K G R 3/8" pds		
C UNS1" L90K G R 1/2" pds		
C UN 1. 3/16" L90K G R 3/4" pds		
C UN 1. 7/16" L90K G R 1" pds		
C UN 1.11/16" L90K G R 1.1/4" pds		
C UN 2" L90K G R 1.1/2" pds		



<b>C UN/UNF/UNS L90K G UN/UNF/UNS</b>	<b>C6MLO</b>	-
C UNF 9/16" L90K G UNF 9/16"	4	C6MLOS
C UN 11/16" L90K G UN 11/16"	6	C6MLOS
C UN 13/16" L90K G UN 13/16"	8	C6MLOS
C UNS1" L90K G UNS1"	10	C6MLOS
C UN 1. 3/16" L90K G UN 1. 3/16"	12	C6MLOS
C UN 1. 7/16" L90K G UN 1. 7/16"	16	C6MLOS
C UN 1.11/16" L90K G UN 1.11/16"	20	C6MLOS
C UN 2" L90K G UN 2"	24	C6MLOS



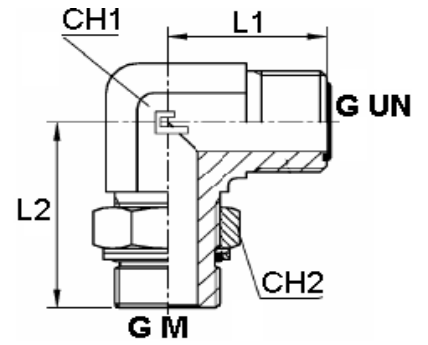
<b>D UN/UNF L90K K UN/UNF</b>	-	-
D UNF 7/16" L90K K UNF 7/16"		
D UNF 1/ 2" L90K K UNF 1/ 2"		
D UNF 9/16" L90K K UNF 9/16"		
D UNF 3/ 4" L90K K UNF 3/ 4"		
D UNF 7/ 8" L90K K UNF 7/ 8"		
D UN1.1/16" L90K K UN1.1/16"		
D UN1.5/16" L90K K UN1.5/16"		
D UN1.5/ 8" L90K K UN1.5/ 8"		
D UN1.7/ 8" L90K K UN1.7/ 8"		



G M pds	L90K	G UN/UNF/UNS
G M10x1 pds	L90K	G UNF 9/16"
G M12x1,5 pds	L90K	G UNF 9/16"
G M14x1,5 pds	L90K	G UN 11/16"
G M16x1,5 pds	L90K	G UN 11/16"
G M16x1,5 pds	L90K	G UN 13/16"
G M18x1,5 pds	L90K	G UN 13/16"
G M18x1,5 pds	L90K	G UNS1"
G M22x1,5 pds	L90K	G UN 13/16"
G M22x1,5 pds	L90K	G UNS1"
G M22x1,5 pds	L90K	G UN 1. 3/16"
G M27x2 pds	L90K	G UNS1"
G M27x2 pds	L90K	G UN 1. 3/16"
G M27x2 pds	L90K	G UN 1. 7/16"
G M33x2 pds	L90K	G UN 1. 3/16"
G M33x2 pds	L90K	G UN 1. 7/16"
G M42x2 pds	L90K	G UN 1. 7/16"
G M42x2 pds	L90K	G UN 1.11/16"
G M48x2 pds	L90K	G UN 1.11/16"
G M48x2 pds	L90K	G UN 2"

C8OMLO
4M10C8OMLOS
4M12C8OMLOS
6M14C8OMLOS
6M16C8OMLOS
8M16C8OMLOS
8M18C8OMLOS
10M18C8OMLOS
8M22C8OMLOS
10M22C8OMLOS
12M22C8OMLOS
10M27C8OMLOS
12M27C8OMLOS
16M27C8OMLOS
12M33C8OMLOS
16M33C8OMLOS
16M42C8OMLOS
20M42C8OMLOS
20M48C8OMLOS
24M48C8OMLOS

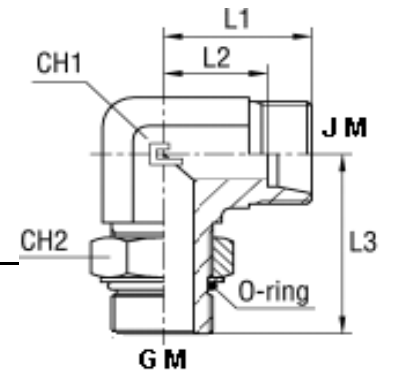
podesivi nipel



G M pds	L90K	J M
G M 8x1 pds	L90K	J M 8x1
G M10x1 pds	L90K	J M10x1
G M10x1 pds	L90K	J M12x1

X WEE - LLM
X WEE 4 - LLM
X WEE 6 - LLM
X WEE 8 - LLM

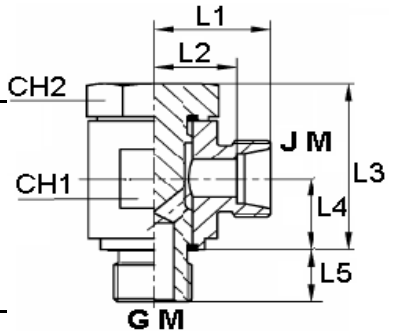
podesivi nipel



G M pds	L90K	J M
G M 8x1 pds	L90K	J M 8x1
G M10x1 pds	L90K	J M10x1
G M10x1 pds	L90K	J M12x1

X WH - LLM
X WH 4 - LLM
X WH 6 - LLM
X WH 8 - LLM

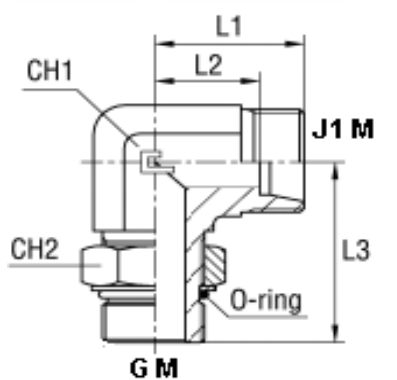
podesivi nipel



G M pds	L90K	J1 M
G M10x1 pds	L90K	J1 M12x1,5
G M12x1,5 pds	L90K	J1 M14x1,5
G M14x1,5 pds	L90K	J1 M16x1,5
G M16x1,5 pds	L90K	J1 M18x1,5
G M18x1,5 pds	L90K	J1 M22x1,5
G M22x1,5 pds	L90K	J1 M26x1,5
G M27x2 pds	L90K	J1 M30x2
G M33x2 pds	L90K	J1 M36x2
G M42x2 pds	L90K	J1 M45x2
G M48x2 pds	L90K	J1 M52x2

X WEE - LM
X WEE 6 - LM
X WEE 8 - LM
X WEE 10 - LM
X WEE 12 - LM
X WEE 15 - LM
X WEE 18 - LM
X WEE 22 - LM
X WEE 28 - LM
X WEE 35 - LM
X WEE 42 - LM

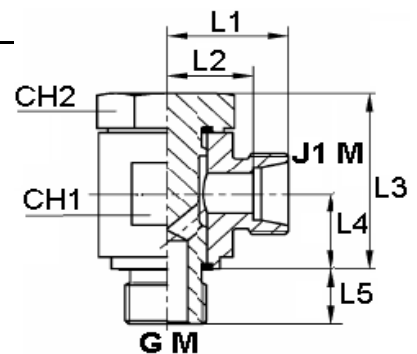
podesivi nipel



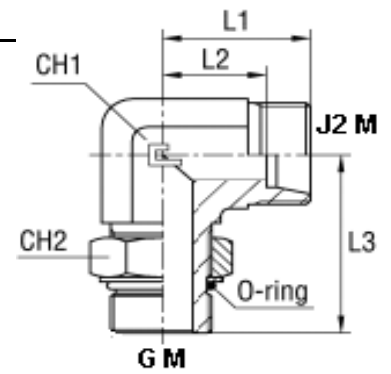
G M pds	L90K	J1 M
G M10x1 pds	L90K	J1 M12x1,5
G M12x1,5 pds	L90K	J1 M14x1,5
G M14x1,5 pds	L90K	J1 M16x1,5
G M16x1,5 pds	L90K	J1 M18x1,5
G M18x1,5 pds	L90K	J1 M22x1,5
G M22x1,5 pds	L90K	J1 M26x1,5
G M26x1,5 pds	L90K	J1 M30x2
G M33x2 pds	L90K	J1 M36x2
G M42x2 pds	L90K	J1 M45x2
G M48x2 pds	L90K	J1 M52x2

X WH - LM
X WH 6 - LM
X WH 8 - LM
X WH 10 - LM
X WH 12 - LM
X WH 15 - LM
X WH 18 - LM
X WH 22 - LM
X WH 28 - LM
X WH 35 - LM
X WH 42 - LM

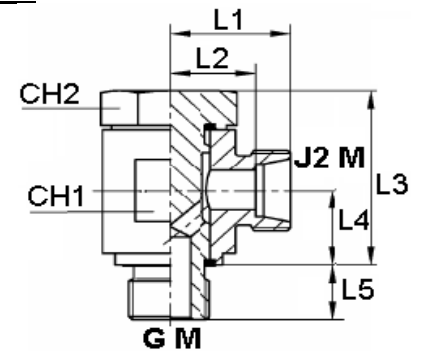
podesivi nipel



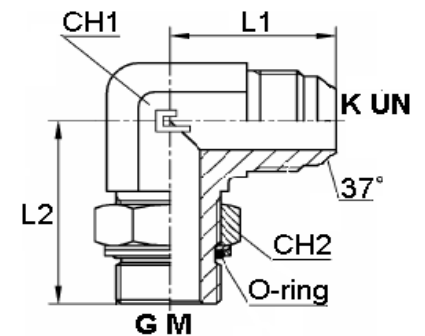
<b>G M pds L90K J2 M</b>	<b>X WEE - SM</b>	<b>podesivi nipel</b>
G M12x1,5 pds L90K J2 M14x1,5	WEE 6 - SM	
G M14x1,5 pds L90K J2 M16x1,5	WEE 8 - SM	
G M16x1,5 pds L90K J2 M18x1,5	WEE 10 - SM	
G M18x1,5 pds L90K J2 M20x1,5	WEE 12 - SM	
G M20x1,5 pds L90K J2 M22x1,5	WEE 14 - SM	
G M22x1,5 pds L90K J2 M24x1,5	WEE 16 - SM	
G M27x2 pds L90K J2 M30x2	WEE 20 - SM	
G M33x2 pds L90K J2 M36x2	WEE 25 - SM	
G M42x2 pds L90K J2 M42x2	WEE 30 - SM	
G M48x2 pds L90K J2 M52x2	WEE 38 - SM	



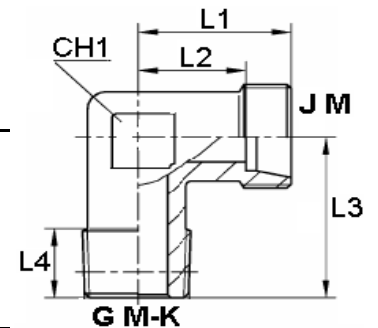
<b>G M pds L90K J2 M</b>	<b>X WH - SM</b>	<b>podesivi nipel</b>
G M12x1,5 pds L90K J2 M14x1,5	WH 6 - SM	
G M14x1,5 pds L90K J2 M16x1,5	WH 8 - SM	
G M16x1,5 pds L90K J2 M18x1,5	WH 10 - SM	
G M18x1,5 pds L90K J2 M20x1,5	WH 12 - SM	
G M20x1,5 pds L90K J2 M22x1,5	WH 14 - SM	
G M22x1,5 pds L90K J2 M24x1,5	WH 16 - SM	
G M27x2 pds L90K J2 M30x2	WH 20 - SM	
G M33x2 pds L90K J2 M36x2	WH 25 - SM	
G M42x2 pds L90K J2 M42x2	WH 30 - SM	
G M48x2 pds L90K J2 M52x2	WH 38 - SM	



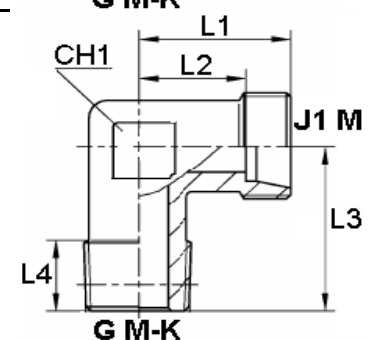
<b>G M pds L90K K UN/UNF</b>	<b>C87OMX</b>	<b>podesivi nipel</b>
G M10x1 pds L90K K UNF 7/16"	4M10C87OMXS	
G M10x1 pds L90K K UNF 1/ 2"	5M10C87OMXS	
G M12x1,5 pds L90K K UNF 7/16"	4M12C87OMXS	
G M12x1,5 pds L90K K UNF 1/ 2"	5M12C87OMXS	
G M14x1,5 pds L90K K UNF 1/ 2"		
G M14x1,5 pds L90K K UNF 9/16"	6M14C87OMXS	
G M16x1,5 pds L90K K UNF 9/16"		
G M16x1,5 pds L90K K UNF 3/ 4"	8M16C87OMXS	
G M18x1,5 pds L90K K UNF 3/ 4"	8M18C87OMXS	
G M18x1,5 pds L90K K UNF 7/ 8"	10M18C87OMXS	
G M20x1,5 pds L90K K UNF 7/ 8"		
G M22x1,5 pds L90K K UNF 7/ 8"	10M22C87OMXS	
G M22x1,5 pds L90K K UN1.1/16"	12M22C87OMXS	
G M27x2 pds L90K K UN1.1/16"	12M27C87OMXS	
G M27x2 pds L90K K UN1.5/16"	16M27C87OMXS	
G M33x2 pds L90K K UN1.5/16"	16M33C87OMXS	
G M42x2 pds L90K K UN1.5/ 8"	20M42C87OMXS	
G M48x2 pds L90K K UN1.7/ 8"	24M48C87OMXS	



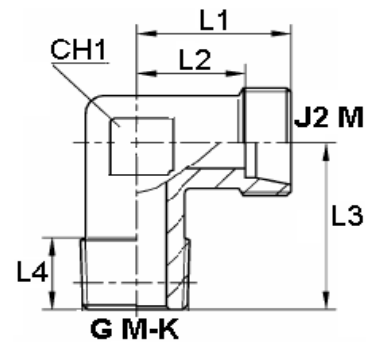
<b>G M-K L90K J M</b>	<b>X WE - LLM</b>	<b>-</b>
G M 8x1K L90K J M 8x1	X WE 4 - LLM	
G M10x1K L90K J M10x1	X WE 6 - LLM	
G M10x1K L90K J M12x1	X WE 8 - LLM	



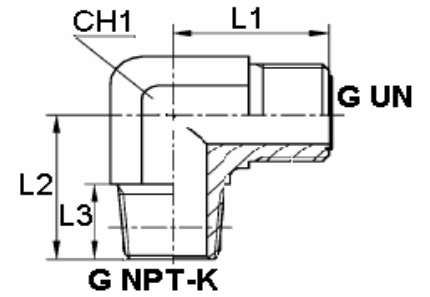
<b>G M-K L90K J1 M</b>	<b>X WE - LM</b>	<b>-</b>
G M10x1K L90K J1 M12x1,5	X WE 6 - LM	
G M12x1,5K L90K J1 M14x1,5	X WE 8 - LM	
G M14x1,5K L90K J1 M16x1,5	X WE 10 - LM	
G M16x1,5K L90K J1 M18x1,5	X WE 12 - LM	
G M18x1,5K L90K J1 M22x1,5	X WE 15 - LM	
G M22x1,5K L90K J1 M26x1,5	X WE 18 - LM	



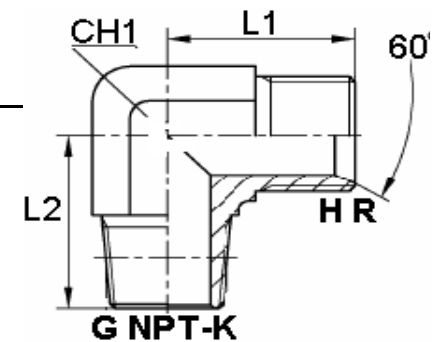
<b>G M-K L90K J2 M</b>	<b>X WE - SM</b>	-
G M12x1,5K L90K J2 M14x1,5	X WE 6 - SM	
G M14x1,5K L90K J2 M16x1,5	X WE 8 - SM	
G M16x1,5K L90K J2 M18x1,5	X WE 10 - SM	
G M18x1,5K L90K J2 M20x1,5	X WE 12 - SM	
G M20x1,5K L90K J2 M22x1,5	X WE 14 - SM	
G M22x1,5K L90K J2 M24x1,5	X WE 16 - SM	



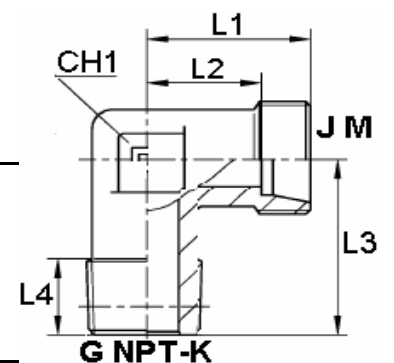
<b>G NPT-K L90K G UN/UNF/UNS</b>	<b>CLO</b>	-
G NPT 1/8"K L90K G UNF 9/16"	4 CLOS	
G NPT 1/4"K L90K G UNF 9/16"	4- 4 CLOS	
G NPT 1/4"K L90K G UN 11/16"	6 CLOS	
G NPT 1/4"K L90K G UN 13/16"	8- 4 CLOS	
G NPT 3/8"K L90K G UNF 9/16"	4- 6 CLOS	
G NPT 3/8"K L90K G UN 11/16"	6- 6 CLOS	
G NPT 3/8"K L90K G UN 13/16"	8 CLOS	
G NPT 3/8"K L90K G UNS1"	10- 6 CLOS	
G NPT 1/2"K L90K G UN 11/16"	6- 8 CLOS	
G NPT 1/2"K L90K G UN 13/16"	8- 8 CLOS	
G NPT 1/2"K L90K G UNS1"	10 CLOS	
G NPT 1/2"K L90K G UN 1. 3/16"	12- 8 CLOS	
G NPT 3/4"K L90K G UN 13/16"	8-12 CLOS	
G NPT 3/4"K L90K G UNS1"	10-12 CLOS	
G NPT 3/4"K L90K G UN 1. 3/16"	12 CLOS	
G NPT 3/4"K L90K G UN 1. 7/16"	16-12 CLOS	
G NPT1"K L90K G UN 1. 3/16"	12-16 CLOS	
G NPT1"K L90K G UN 1. 7/16"	16 CLOS	
G NPT1"K L90K G UN 1.11/16"	20-12 CLOS	
G NPT1.1/4"K L90K G UN 1.11/16"	20 CLOS	
G NPT1.1/4"K L90K G UN 2"	24-20 CLOS	
G NPT1.1/2"K L90K G UN 2"	24 CLOS	



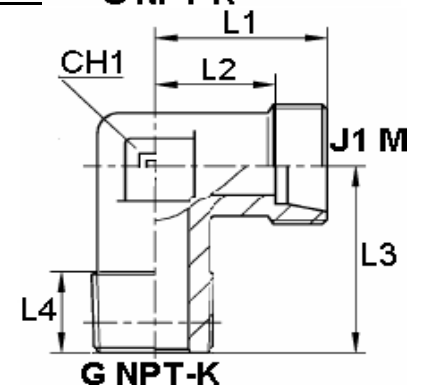
<b>G NPT-K L90K HR</b>	-	-
G NPT 1/8"K L90K HR 1/8"		
G NPT 1/4"K L90K HR 1/4"		
G NPT 3/8"K L90K HR 3/8"		
G NPT 1/2"K L90K HR 1/2"		
G NPT 1/2"K L90K HR 5/8"		
G NPT 3/4"K L90K HR 3/4"		
G NPT1"K L90K HR1"		
G NPT1.1/4"K L90K HR1.1/4"		
G NPT1.1/2"K L90K HR1.1/2"		
G NPT2"K L90K HR2"		



<b>G NPT-K L90K JM</b>	<b>X WE - LL / NPT</b>	-
G NPT1/8"K L90K JM 8x1	X WE 4 - LL / 1/8 NPT	
G NPT1/8"K L90K JM10x1	X WE 6 - LL / 1/8 NPT	
G NPT1/8"K L90K JM12x1	X WE 8 - LL / 1/8 NPT	

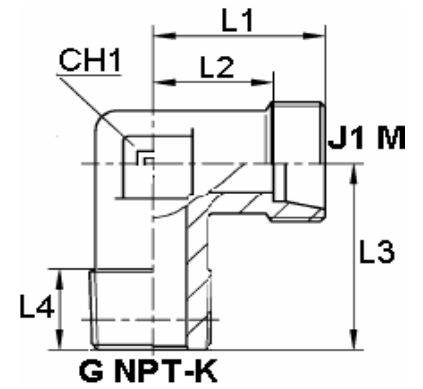


<b>G NPT-K L90K J1 M</b>	<b>X WE - L / NPT</b>	-
G NPT 1/8"K L90K J1 M12x1,5	X WE 6 - L / 1/8 NPT	
G NPT 1/8"K L90K J1 M14x1,5	X WE 8 - L / 1/8 NPT	
G NPT 1/8"K L90K J1 M16x1,5	X WE 10 - L / 1/8 NPT	
G NPT 1/4"K L90K J1 M12x1,5	X WE 6 - L / 1/4 NPT	
G NPT 1/4"K L90K J1 M14x1,5	X WE 8 - L / 1/4 NPT	
G NPT 1/4"K L90K J1 M16x1,5	X WE 10 - L / 1/4 NPT	
G NPT 1/4"K L90K J1 M18x1,5	X WE 12 - L / 1/4 NPT	
G NPT 3/8"K L90K J1 M14x1,5	X WE 8 - L / 3/8 NPT	
G NPT 3/8"K L90K J1 M16x1,5	X WE 10 - L / 3/8 NPT	
G NPT 3/8"K L90K J1 M18x1,5	X WE 12 - L / 3/8 NPT	
G NPT 3/8"K L90K J1 M22x1,5	X WE 15 - L / 3/8 NPT	
G NPT 1/2"K L90K J1 M14x1,5	X WE 8 - L / 1/2 NPT	



G NPT	1/2"K	L90K	J1 M16x1,5
G NPT	1/2"K	L90K	J1 M18x1,5
G NPT	1/2"K	L90K	J1 M22x1,5
G NPT	1/2"K	L90K	J1 M26x1,5
G NPT	3/4"K	L90K	J1 M26x1,5
G NPT	3/4"K	L90K	J1 M30x2
G NPT1"K		L90K	J1 M36x2
G NPT1.1/4"K		L90K	J1 M45x2
G NPT1.1/2"K		L90K	J1 M52x2

X WE 10 - L /	1/2 NPT
X WE 12 - L /	1/2 NPT
X WE 15 - L /	1/2 NPT
X WE 18 - L /	1/2 NPT
X WE 18 - L /	3/4 NPT
X WE 22 - L /	3/4 NPT
X WE 28 - L /	1 NPT
X WE 35 - L /	1.1/4 NPT
X WE 42 - L /	1.1/2 NPT

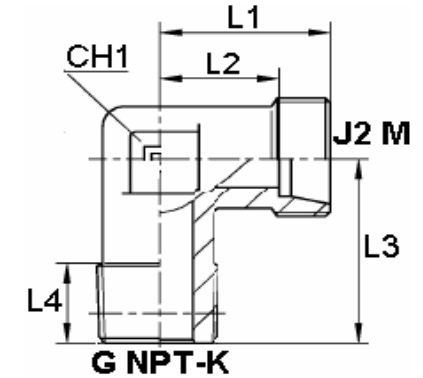


**G NPT-K L90K J2 M**

**X WE - S / NPT**

G NPT	1/4"K	L90K	J2 M14x1,5
G NPT	1/4"K	L90K	J2 M16x1,5
G NPT	3/8"K	L90K	J2 M18x1,5
G NPT	3/8"K	L90K	J2 M20x1,5
G NPT	3/8"K	L90K	J2 M22x1,5
G NPT	3/8"K	L90K	J2 M24x1,5
G NPT	1/2"K	L90K	J2 M20x1,5
G NPT	1/2"K	L90K	J2 M22x1,5
G NPT	1/2"K	L90K	J2 M24x1,5
G NPT	1/2"K	L90K	J2 M30x2
G NPT	3/4"K	L90K	J2 M30x2
G NPT	3/4"K	L90K	J2 M36x2
G NPT1"K		L90K	J2 M36x2
G NPT1"K		L90K	J2 M42x2
G NPT1.1/4"K		L90K	J2 M42x2
G NPT1.1/2"K		L90K	J2 M52x2

X WE 6 - S /	1/4 NPT
X WE 8 - S /	1/4 NPT
X WE 10 - S /	3/8 NPT
X WE 12 - S /	3/8 NPT
X WE 14 - S /	3/8 NPT
X WE 16 - S /	3/8 NPT
X WE 12 - S /	1/2 NPT
X WE 14 - S /	1/2 NPT
X WE 16 - S /	1/2 NPT
X WE 20 - S /	1/2 NPT
X WE 20 - S /	3/4 NPT
X WE 25 - S /	3/4 NPT
X WE 25 - S /	1 NPT
X WE 30 - S /	1 NPT
X WE 30 - S /	1.1/4 NPT
X WE 38 - S /	1.1/2 NPT

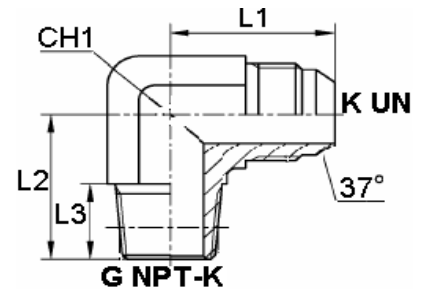


**G NPT-K L90K K UN/UNF/UNS**

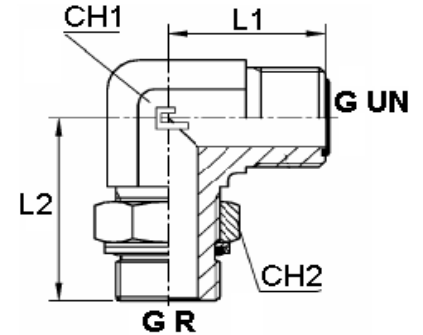
**CMTX**

G NPT	1/8"K	L90K	K UNF 7/16"
G NPT	1/8"K	L90K	K UNF 1/ 2"
G NPT	1/8"K	L90K	K UNF 9/16"
G NPT	1/4"K	L90K	K UNF 7/16"
G NPT	1/4"K	L90K	K UNF 1/ 2"
G NPT	1/4"K	L90K	K UNF 9/16"
G NPT	1/4"K	L90K	K UNF 3/ 4"
G NPT	3/8"K	L90K	K UNF 7/16"
G NPT	3/8"K	L90K	K UNF 9/16"
G NPT	3/8"K	L90K	K UNF 3/ 4"
G NPT	3/8"K	L90K	K UNF 7/ 8"
G NPT	1/2"K	L90K	K UNF 7/16"
G NPT	1/2"K	L90K	K UNF 9/16"
G NPT	1/2"K	L90K	K UNF 3/ 4"
G NPT	1/2"K	L90K	K UNF 7/ 8"
G NPT	1/2"K	L90K	K UN1.1/16"
G NPT	3/4"K	L90K	K UNF 3/ 4"
G NPT	3/4"K	L90K	K UNF 7/ 8"
G NPT	3/4"K	L90K	K UN1.1/16"
G NPT	3/4"K	L90K	K UN1.5/16"
G NPT1"K		L90K	K UN1.1/16"
G NPT1"K		L90K	K UN1.5/16"
G NPT1"K		L90K	K UN1.5/ 8"
G NPT1.1/4"K		L90K	K UN1.5/16"
G NPT1.1/4"K		L90K	K UN1.5/ 8"
G NPT1.1/4"K		L90K	K UN1.7/ 8"
G NPT1.1/2"K		L90K	K UN1.5/ 8"
G NPT1.1/2"K		L90K	K UN1.7/ 8"

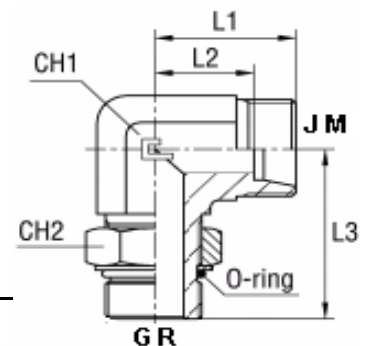
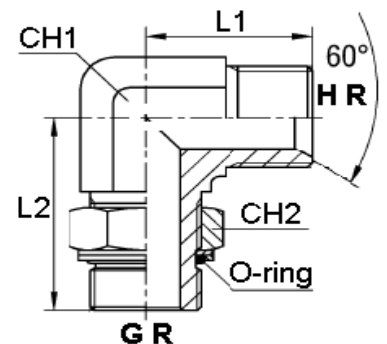
4	CMTXS
5	CMTXS
6- 2	CMTXS
4- 4	CMTXS
5- 4	CMTXS
6	CMTXS
8- 4	CMTXS
4- 6	CMTXS
6- 6	CMTXS
8	CMTXS
10- 6	CMTXS
4- 8	CMTXS
6- 8	CMTXS
8- 8	CMTXS
10	CMTXS
12- 8	CMTXS
8-12	CMTXS
10-12	CMTXS
12	CMTXS
16-12	CMTXS
12-16	CMTXS
16	CMTXS
20-16	CMTXS
16-20	CMTXS
20	CMTXS
24-20	CMTXS
20-20	CMTXS
24	CMTXS



<b>G R pds L90K G UN/UNFUNS</b>	<b>C4OMLO</b>	<b>podesivi nipel</b>
G R 1/8" pds L90K G UNF 9/16"	4 C4OMLOS	
G R 1/4" pds L90K G UNF 9/16"	4- 4 C4OMLOS	
G R 1/4" pds L90K G UN 11/16"	6 C4OMLOS	
G R 1/4" pds L90K G UN 13/16"	8- 4 C4OMLOS	
G R 1/4" pds L90K G UNS1"	10- 4 C4OMLOS	
G R 1/4" pds L90K G UN 1. 3/16"	12- 4 C4OMLOS	
G R 1/4" pds L90K G UN 1. 7/16"	16- 4 C4OMLOS	
G R 3/8" pds L90K G UNF 9/16"	4- 6 C4OMLOS	
G R 3/8" pds L90K G UN 11/16"	6- 6 C4OMLOS	
G R 3/8" pds L90K G UN 13/16"	8 C4OMLOS	
G R 3/8" pds L90K G UNS1"	10- 6 C4OMLOS	
G R 1/2" pds L90K G UN 11/16"	6- 8 C4OMLOS	
G R 1/2" pds L90K G UN 13/16"	8- 8 C4OMLOS	
G R 1/2" pds L90K G UNS1"	10 C4OMLOS	
G R 1/2" pds L90K G UN 1. 3/16"	12- 8 C4OMLOS	
G R 3/4" pds L90K G UN 13/16"	8-12 C4OMLOS	
G R 3/4" pds L90K G UNS1"	10-12 C4OMLOS	
G R 3/4" pds L90K G UN 1. 3/16"	12 C4OMLOS	
G R 3/4" pds L90K G UN 1. 7/16"	16-12 C4OMLOS	
G R 1" pds L90K G UNS1"	10-16 C4OMLOS	
G R 1" pds L90K G UN 1. 3/16"	12-16 C4OMLOS	
G R 1" pds L90K G UN 1. 7/16"	16 C4OMLOS	
G R 1" pds L90K G UN 1.11/16"	20-16 C4OMLOS	
G R 1.1/4" pds L90K G UN 1. 7/16"	16-20 C4OMLOS	
G R 1.1/4" pds L90K G UN 1.11/16"	20 C4OMLOS	
G R 1.1/2" pds L90K G UN 1.11/16"	20-24 C4OMLOS	
G R 1.1/2" pds L90K G UN 2"	24 C4OMLOS	

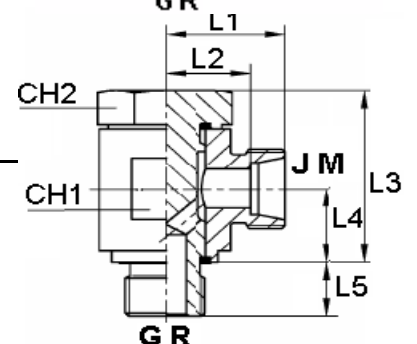


<b>G R pds L90K HR</b>	<b>-</b>	<b>podesivi nipel</b>
G R 1/8" pds L90K HR 1/8"		
G R 1/8" pds L90K HR 1/4"		
G R 1/4" pds L90K HR 1/4"		
G R 1/4" pds L90K HR 3/8"		
G R 3/8" pds L90K HR 3/8"		
G R 3/8" pds L90K HR 1/2"		
G R 1/2" pds L90K HR 3/8"		
G R 1/2" pds L90K HR 1/2"		
G R 1/2" pds L90K HR 3/4"		
G R 3/4" pds L90K HR 3/4"		
G R 3/4" pds L90K HR 1"		
G R 1" pds L90K HR 1"		
G R 1" pds L90K HR 1.1/4"		
G R 1.1/4" pds L90K HR 1.1/4"		
G R 1.1/4" pds L90K HR 1.1/2"		
G R 1.1/2" pds L90K HR 1.1/2"		
G R 1.1/2" pds L90K HR 2"		
G R 2" pds L90K HR 2"		

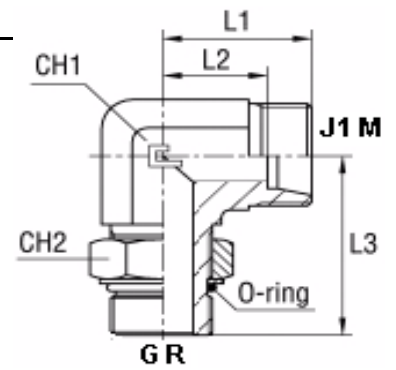


<b>G R pds L90K JM</b>	<b>X WEE - LLR</b>	<b>podesivi nipel</b>
G R 1/8" pds L90K JM 8x1	X WEE 4 - LLR	
G R 1/8" pds L90K JM 10x1	X WEE 6 - LLR	

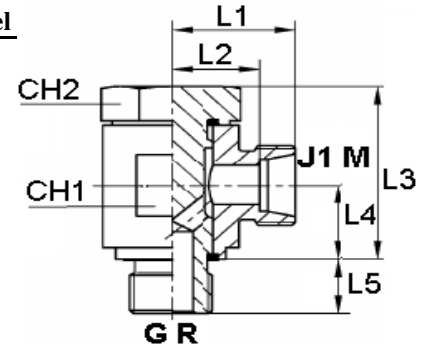
<b>G R pds L90K JM</b>	<b>X WH - LLR</b>	<b>podesivi nipel</b>
G R 1/8" pds L90K JM 8x1	X WH 4 - LLR	
G R 1/8" pds L90K JM 10x1	X WH 6 - LLR	
G R 1/8" pds L90K JM 12x1	X WH 8 - LLR	



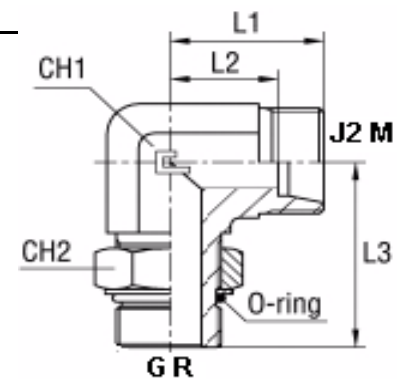
<b>G R pds L90K J1 M</b>	<b>X WEE - LR</b>	<b>podesivi nipel</b>
G R 1/8" pds L90K J1 M12x1,5	X WEE 6 - LR	
G R 1/4" pds L90K J1 M14x1,5	X WEE 8 - LR	
G R 1/4" pds L90K J1 M16x1,5	X WEE 10 - LR	
G R 3/8" pds L90K J1 M18x1,5	X WEE 12 - LR	
G R 1/2" pds L90K J1 M22x1,5	X WEE 15 - LR	
G R 1/2" pds L90K J1 M26x1,5	X WEE 18 - LR	
G R 3/4" pds L90K J1 M30x2	X WEE 22 - LR	
G R 1" pds L90K J1 M36x2	X WEE 28 - LR	
G R 1.1/4" pds L90K J1 M45x2	X WEE 35 - LR	
G R 1.1/2" pds L90K J1 M52x2	X WEE 42 - LR	



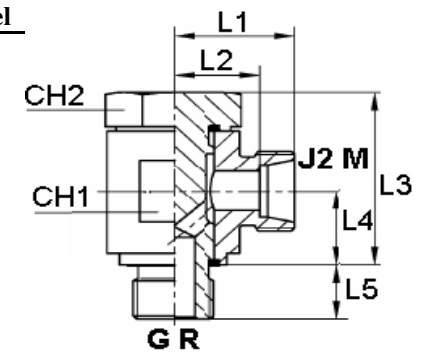
<b>G R pds L90K J1 M</b>	<b>X WH - LR</b>	<b>podesivi nipel</b>
G R 1/8" pds L90K J1 M12x1,5	X WH 6 - LR	
G R 1/4" pds L90K J1 M14x1,5	X WH 8 - LR	
G R 1/4" pds L90K J1 M16x1,5	X WH 10 - LR	
G R 3/8" pds L90K J1 M18x1,5	X WH 12 - LR	
G R 1/2" pds L90K J1 M22x1,5	X WH 15 - LR	
G R 1/2" pds L90K J1 M26x1,5	X WH 18 - LR	
G R 3/4" pds L90K J1 M30x2	X WH 22 - LR	
G R 1" pds L90K J1 M36x2	X WH 28 - LR	
G R 1.1/4" pds L90K J1 M45x2	X WH 35 - LR	
G R 1.1/2" pds L90K J1 M52x2	X WH 42 - LR	



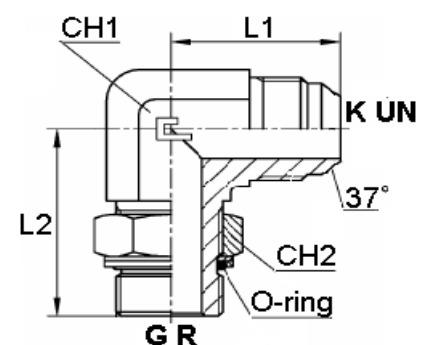
<b>G R pds L90K J2 M</b>	<b>X WEE - SR</b>	<b>podesivi nipel</b>
G R 1/4" pds L90K J2 M14x1,5	WEE 6 - SR	
G R 1/4" pds L90K J2 M16x1,5	WEE 8 - SR	
G R 3/8" pds L90K J2 M18x1,5	WEE 10 - SR	
G R 3/8" pds L90K J2 M20x1,5	WEE 12 - SR	
G R 1/2" pds L90K J2 M22x1,5	WEE 14 - SR	
G R 1/2" pds L90K J2 M24x1,5	WEE 16 - SR	
G R 3/4" pds L90K J2 M30x2	WEE 20 - SR	
G R 1" pds L90K J2 M36x2	WEE 25 - SR	
G R 1.1/4" pds L90K J2 M42x2	WEE 30 - SR	
G R 1.1/2" pds L90K J2 M52x2	WEE 38 - SR	



<b>G R pds L90K J2 M</b>	<b>X WH - SR</b>	<b>podesivi nipel</b>
G R 1/4" pds L90K J2 M14x1,5	WH 6 - SR	
G R 1/4" pds L90K J2 M16x1,5	WH 8 - SR	
G R 3/8" pds L90K J2 M18x1,5	WH 10 - SR	
G R 3/8" pds L90K J2 M20x1,5	WH 12 - SR	
G R 1/2" pds L90K J2 M22x1,5	WH 14 - SR	
G R 1/2" pds L90K J2 M24x1,5	WH 16 - SR	
G R 3/4" pds L90K J2 M30x2	WH 20 - SR	
G R 1" pds L90K J2 M36x2	WH 25 - SR	
G R 1.1/4" pds L90K J2 M42x2	WH 30 - SR	
G R 1.1/2" pds L90K J2 M52x2	WH 38 - SR	

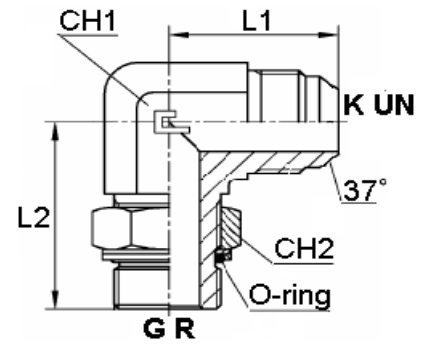


<b>G R pds L90K K UN/UNF</b>	<b>C40MX</b>	<b>podesivi nipel</b>
G R 1/8" pds L90K K UNF 7/16"	4 C40MXS	
G R 1/8" pds L90K K UNF 1/ 2"	5 C40MXS	
G R 1/4" pds L90K K UNF 7/16"	4- 4 C40MXS	
G R 1/4" pds L90K K UNF 1/ 2"	5- 4 C40MXS	
G R 1/4" pds L90K K UNF 9/16"	6 C40MXS	
G R 1/4" pds L90K K UNF 3/ 4"	8- 4 C40MXS	
G R 3/8" pds L90K K UNF 7/16"	4- 6 C40MXS	
G R 3/8" pds L90K K UNF 1/ 2"	5- 6 C40MXS	
G R 3/8" pds L90K K UNF 9/16"	6- 6 C40MXS	
G R 3/8" pds L90K K UNF 3/ 4"	8 C40MXS	
G R 3/8" pds L90K K UNF 7/ 8"	10- 6 C40MXS	
G R 1/2" pds L90K K UNF 7/16"	4- 8 C40MXS	
G R 1/2" pds L90K K UNF 9/16"	6- 8 C40MXS	



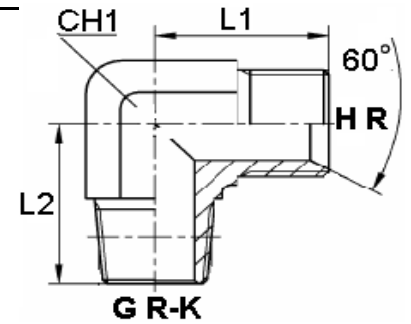


GR 1/2" pds L90K K UNF 3/ 4"	8- 8 C40MXS
GR 1/2" pds L90K K UNF 7/ 8"	10 C40MXS
GR 1/2" pds L90K K UN1.1/16"	12- 8 C40MXS
GR 3/4" pds L90K K UNF 3/ 4"	8-12 C40MXS
GR 3/4" pds L90K K UNF 7/ 8"	10-12 C40MXS
GR 3/4" pds L90K K UN1.1/16"	12 C40MXS
GR 3/4" pds L90K K UN1.5/16"	16-12 C40MXS
GR 1" pds L90K K UN1.1/16"	12-16 C40MXS
GR 1" pds L90K K UN1.5/16"	16 C40MXS
GR 1" pds L90K K UN1.5/ 8"	20-16 C40MXS
GR 1.1/4" pds L90K K UN1.5/16"	16-20 C40MXS
GR 1.1/4" pds L90K K UN1.5/ 8"	20 C40MXS
GR 1.1/4" pds L90K K UN1.7/ 8"	24-20 C40MXS
GR 1.1/2" pds L90K K UN1.7/ 8"	24 C40MXS



**GR-K L90K HR**

GR 1/8"K L90K HR 1/8"
GR 1/4"K L90K HR 1/4"
GR 3/8"K L90K HR 3/8"
GR 1/2"K L90K HR 1/2"
GR 5/8"K L90K HR 1/2"
GR 3/4"K L90K HR 3/4"
GR 1"K L90K HR 1"
GR 1.1/4"K L90K HR 1.1/4"
GR 1.1/2"K L90K HR 1.1/2"
GR 2"K L90K HR 2"

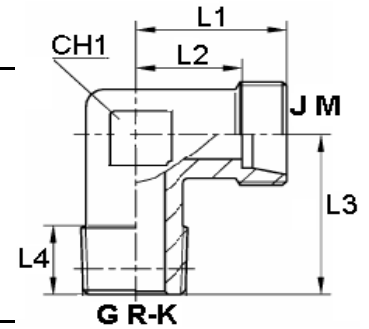


**GR-K L90K JM**

GR 1/8"K L90K JM 8x1
GR 1/8"K L90K JM 10x1
GR 1/8"K L90K JM 12x1
GR 1/4"K L90K JM 14x1
GR 1/4"K L90K JM 16x1

**X WE - LLR**

X WE 4 - LLR
X WE 6 - LLR
X WE 8 - LLR
X WE 10 - LLR
X WE 12 - LLR

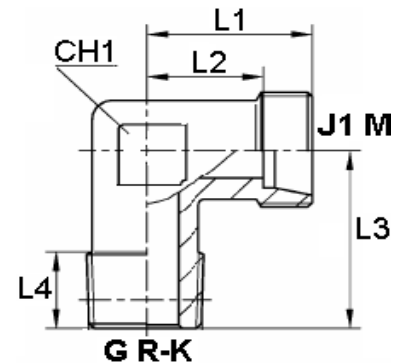


**GR-K L90K J1M**

GR 1/8"K L90K J1 M12x1,5
GR 1/8"K L90K J1 M14x1,5
GR 1/8"K L90K J1 M16x1,5
GR 1/4"K L90K J1 M12x1,5
GR 1/4"K L90K J1 M14x1,5
GR 1/4"K L90K J1 M16x1,5
GR 1/4"K L90K J1 M18x1,5
GR 3/8"K L90K J1 M14x1,5
GR 3/8"K L90K J1 M16x1,5
GR 3/8"K L90K J1 M18x1,5
GR 3/8"K L90K J1 M22x1,5
GR 1/2"K L90K J1 M14x1,5
GR 1/2"K L90K J1 M16x1,5
GR 1/2"K L90K J1 M18x1,5
GR 1/2"K L90K J1 M22x1,5
GR 1/2"K L90K J1 M26x1,5
GR 3/4"K L90K J1 M26x1,5
GR 3/4"K L90K J1 M30x2
GR 1"K L90K J1 M36x2
GR 1.1/4"K L90K J1 M45x2
GR 1.1/2"K L90K J1 M52x2

**X WE - LR**

X WE 6 - LR
X WE 8 - LR1/8
X WE 10 - LR1/8
X WE 6 - LR1/4
X WE 8 - LR
X WE 10 - LR
X WE 12 - LR1/4
X WE 8 - LR3/8
X WE 10 - LR3/8
X WE 12 - LR
X WE 15 - LR3/8
X WE 8 - LR1/2
X WE 10 - LR1/2
X WE 12 - LR1/2
X WE 15 - LR
X WE 18 - LR
X WE 18 - LR3/4
X WE 22 - LR
X WE 28 - LR
X WE 35 - LR
X WE 42 - LR

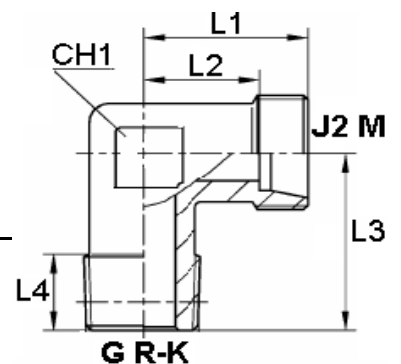


**GR-K L90K J2M**

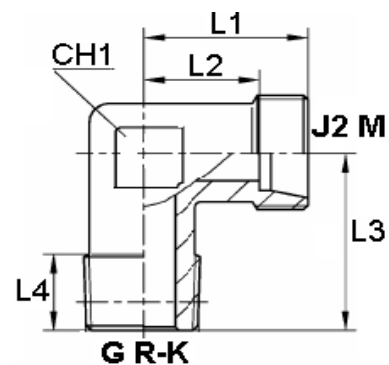
GR 1/4"K L90K J2 M14x1,5
GR 1/4"K L90K J2 M16x1,5
GR 3/8"K L90K J2 M18x1,5
GR 3/8"K L90K J2 M20x1,5

**X WE - SR**

X WE 6 - SR
X WE 8 - SR
X WE 10 - SR
X WE 12 - SR

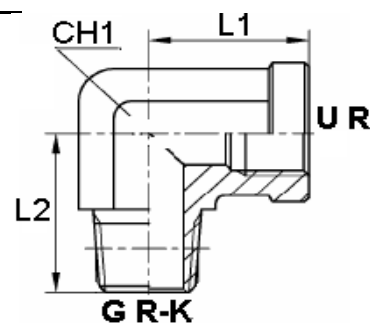


G R 3/8"K L90K J2 M22x1,5	X WE 14 - SR3/8
G R 3/8"K L90K J2 M24x1,5	X WE 16 - SR3/8
G R 1/2"K L90K J2 M20x1,5	X WE 12 - SR1/2
G R 1/2"K L90K J2 M22x1,5	X WE 14 - SR
G R 1/2"K L90K J2 M24x1,5	X WE 16 - SR
G R 1/2"K L90K J2 M30x2	X WE 20 - SR1/2
G R 3/4"K L90K J2 M30x2	X WE 20 - SR
G R 3/4"K L90K J2 M36x2	X WE 25 - SR3/4
G R1"K L90K J2 M36x2	X WE 25 - SR
G R1"K L90K J2 M42x2	X WE 30 - SR1
G R1.1/4"K L90K J2 M42x2	X WE 30 - SR
G R1.1/2"K L90K J2 M52x2	X WE 38 - SR



**G R-K L90K UR**

G R 1/8" L90K UR 1/8"
G R 1/4" L90K UR 1/4"
G R 3/8" L90K UR 3/8"
G R 1/2" L90K UR 1/2"
G R 3/4" L90K UR 3/4"
G R1" L90K UR1"
G R1.1/4" L90K UR1.1/4"
G R1.1/2" L90K UR1.1/2"
G R2" L90K UR2"

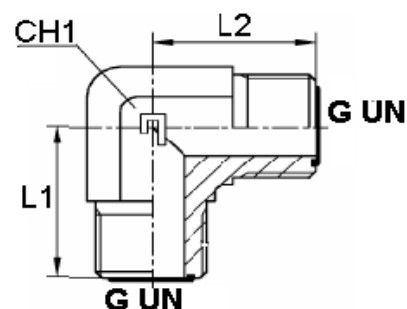


**G UN/UNF/UNS L90K G UN/UNF/UNS**

G UNF 9/16" L90K G UNF 9/16"	4 EMLOS
G UNF 9/16" L90K G UN 11/16"	4- 6 EMLOS
G UN 11/16" L90K G UN 11/16"	6 EMLOS
G UN 11/16" L90K G UN 13/16"	6- 8 EMLOS
G UN 11/16" L90K G UN 1. 3/16"	6-12 EMLOS
G UN 13/16" L90K G UN 13/16"	8 EMLOS
G UN 13/16" L90K G UNS1"	8-10 EMLOS
G UN 13/16" L90K G UN 1. 3/16"	8-12 EMLOS
G UNS1" L90K G UNS1"	10 EMLOS
G UNS1" L90K G UN 1. 3/16"	10-12 EMLOS
G UN 1. 3/16" L90K G UN 1. 3/16"	12 EMLOS
G UN 1. 3/16" L90K G UN 1. 7/16"	12-16 EMLOS
G UN 1. 7/16" L90K G UN 1. 7/16"	16 EMLOS
G UN 1. 7/16" L90K G UN 1.11/16"	16-20 EMLOS
G UN 1.11/16" L90K G UN 1.11/16"	20 EMLOS
G UN 2" L90K G UN 2"	24 EMLOS

**EMLO**

4 EMLOS
4- 6 EMLOS
6 EMLOS
6- 8 EMLOS
6-12 EMLOS
8 EMLOS
8-10 EMLOS
8-12 EMLOS
10 EMLOS
10-12 EMLOS
12 EMLOS
12-16 EMLOS
16 EMLOS
16-20 EMLOS
20 EMLOS
24 EMLOS

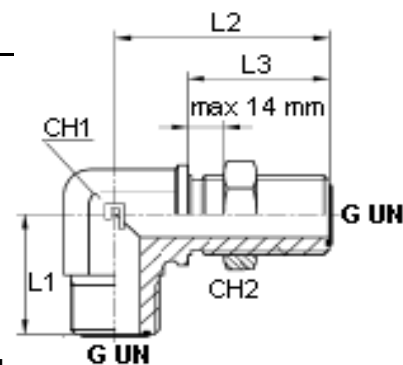


**G UN/UNF/UNS L90K G UN/UNF/UNS p**

G UNF 9/16" L90K G UNF 9/16" p	4 WEMLOS
G UN 11/16" L90K G UN 11/16" p	6 WEMLOS
G UN 13/16" L90K G UN 13/16" p	8 WEMLOS
G UNS1" L90K G UNS1" p	10 WEMLOS
G UN 1. 3/16" L90K G UN 1. 3/16" p	12 WEMLOS
G UN 1. 7/16" L90K G UN 1. 7/16" p	16 WEMLOS
G UN 1.11/16" L90K G UN 1.11/16" p	20 WEMLOS
G UN 2" L90K G UN 2" p	24 WEMLOS

**WEMLO**

4 WEMLOS
6 WEMLOS
8 WEMLOS
10 WEMLOS
12 WEMLOS
16 WEMLOS
20 WEMLOS
24 WEMLOS



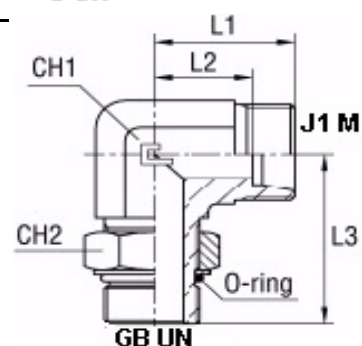
**GB UN/UNF pds L90K J1 M**

GB UNF 7/16" pds L90K J1 M12x1,5	X WEE 6 - L7/16UNF
GB UNF 7/16" pds L90K J1 M14x1,5	X WEE 8 - L7/16UNF
GB UNF 9/16" pds L90K J1 M16x1,5	X WEE 10 - L9/16UNF
GB UNF 3/ 4" pds L90K J1 M18x1,5	X WEE 12 - L3/4UNF
GB UNF 7/ 8" pds L90K J1 M22x1,5	X WEE 15 - L7/8UNF
GB UNF 7/ 8" pds L90K J1 M26x1,5	X WEE 18 - L7/8UNF
GB UN1.1/16" pds L90K J1 M30x2	X WEE 22 - L1.1/16UN
GB UN1.5/16" pds L90K J1 M36x2	X WEE 28 - L1.5/16UN
GB UN1.5/ 8" pds L90K J1 M45x2	X WEE 35 - L1.5/8UN
GB UN1.7/ 8" pds L90K J1 M52x2	X WEE 42 - L1.7/8UN

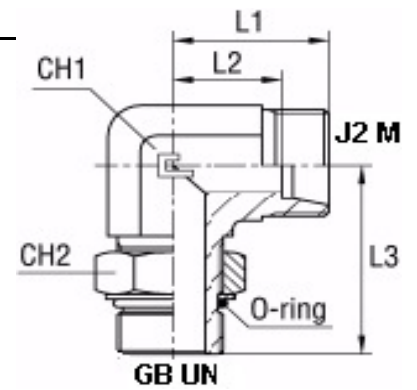
**X WEE - LUNF/UN**

X WEE 6 - L7/16UNF
X WEE 8 - L7/16UNF
X WEE 10 - L9/16UNF
X WEE 12 - L3/4UNF
X WEE 15 - L7/8UNF
X WEE 18 - L7/8UNF
X WEE 22 - L1.1/16UN
X WEE 28 - L1.5/16UN
X WEE 35 - L1.5/8UN
X WEE 42 - L1.7/8UN

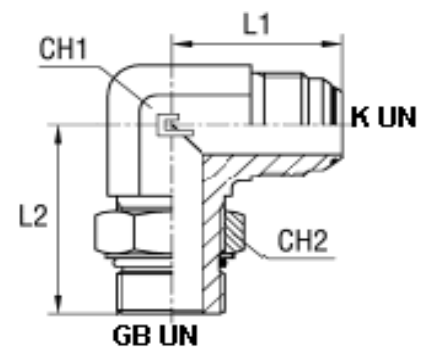
**podesivi nipel**



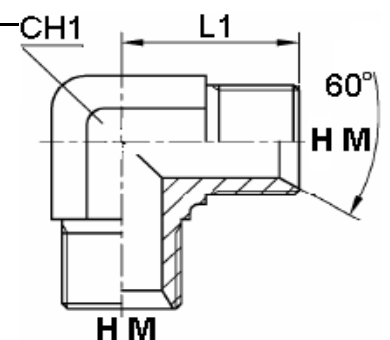
GB UN/UNF pds	L90K	J2 M	X WEE - SUNF/UN	podesivi nipel
GB UNF 7/16" pds	L90K	J2 M14x1,5	X WEE 6 - S7/16UNF	
GB UNF 9/16" pds	L90K	J2 M16x1,5	X WEE 8 - S9/16UNF	
GB UNF 9/16" pds	L90K	J2 M18x1,5	X WEE 10 - S3/4UNF	
GB UN 3/ 4" pds	L90K	J2 M20x1,5	X WEE 12 - S3/4UNF	
GB UNF 7/ 8" pds	L90K	J2 M22x1,5	X WEE 14 - S7/8UNF	
GB UNF 7/ 8" pds	L90K	J2 M24x1,5	X WEE 16 - S7/8UNF	
GB UN1.1/16" pds	L90K	J2 M30x2	X WEE 20 - S1.1/16UN	
GB UN1.5/16" pds	L90K	J2 M36x2	X WEE 25 - S1.5/16UN	
GB UN1.5/ 8" pds	L90K	J2 M42x2	X WEE 30 - S1.5/8UN	
GB UN1.7/ 8" pds	L90K	J2 M52x2	X WEE 38 - S1.7/8UN	



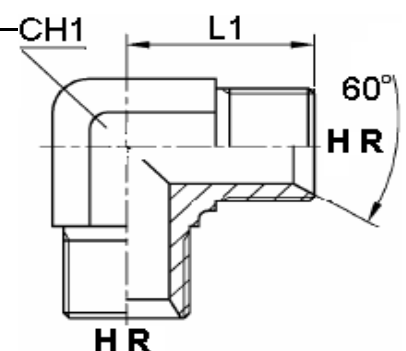
GB UN/UNF pds	L90K	K UN/UNF	C50MX	podesivi nipel
GB UNF 7/16" pds	L90K	K UNF 7/16"	4 C50MXS	
GB UNF 7/16" pds	L90K	K UNF 9/16"	6- 4 C50MXS	
GB UNF 1/ 2" pds	L90K	K UNF 7/16"	5- 4 C50MXS	
GB UNF 1/ 2" pds	L90K	K UNF 1/ 2"	5 C50MXS	
GB UNF 1/ 2" pds	L90K	K UNF 9/16"	6- 5 C50MXS	
GB UNF 9/16" pds	L90K	K UNF 7/16"	4- 6 C50MXS	
GB UNF 9/16" pds	L90K	K UNF 1/ 2"	5- 6 C50MXS	
GB UNF 9/16" pds	L90K	K UNF 9/16"	6 C50MXS	
GB UNF 9/16" pds	L90K	K UNF 3/ 4"	8- 6 C50MXS	
GB UNF 3/ 4" pds	L90K	K UNF 9/16"	6- 8 C50MXS	
GB UNF 3/ 4" pds	L90K	K UNF 3/ 4"	8 C50MXS	
GB UNF 3/ 4" pds	L90K	K UNF 7/ 8"	10- 8 C50MXS	
GB UNF 3/ 4" pds	L90K	K UN1.1/16"	12- 8 C50MXS	
GB UNF 7/ 8" pds	L90K	K UNF 9/16"	6-10 C50MXS	
GB UNF 7/ 8" pds	L90K	K UNF 3/ 4"	8-10 C50MXS	
GB UNF 7/ 8" pds	L90K	K UNF 7/ 8"	10 C50MXS	
GB UNF 7/ 8" pds	L90K	K UN1.1/16"	12-10 C50MXS	
GB UN1.1/16" pds	L90K	K UNF 3/ 4"	8-12 C50MXS	
GB UN1.1/16" pds	L90K	K UNF 7/ 8"	10-12 C50MXS	
GB UN1.1/16" pds	L90K	K UN1.1/16"	12 C50MXS	
GB UN1.1/16" pds	L90K	K UN1.5/16"	16-12 C50MXS	
GB UN1.5/16" pds	L90K	K UN1.1/16"	12-20 C50MXS	
GB UN1.5/16" pds	L90K	K UN1.5/16"	16 C50MXS	
GB UN1.5/ 8" pds	L90K	K UN1.5/16"	16-20 C50MXS	
GB UN1.5/ 8" pds	L90K	K UN1.5/ 8"	20 C50MXS	
GB UN1.5/ 8" pds	L90K	K UN1.5/ 8"	20 C50MXS	
GB UN1.7/ 8" pds	L90K	K UN1.7/ 8"	24 C50MXS	



H M	L90K	H M	-	-
H M10x1	L90K	H M10x1		
H M12x1,5	L90K	H M12x1,5		
H M14x1,5	L90K	H M14x1,5		
H M16x1,5	L90K	H M16x1,5		
H M18x1,5	L90K	H M18x1,5		
H M22x1,5	L90K	H M22x1,5		
H M26x1,5	L90K	H M26x1,5		
H M30x1,5	L90K	H M30x1,5		

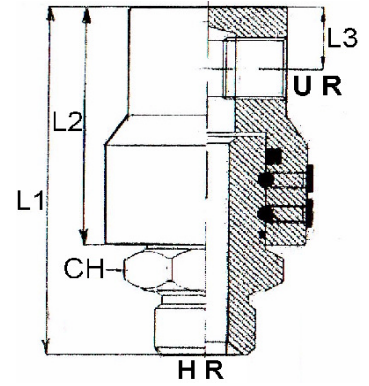


H R	L90K	H R	-	-
H R 1/8"	L90K	H R 1/8"		
H R 1/4"	L90K	H R 1/4"		
H R 3/8"	L90K	H R 3/8"		
H R 1/2"	L90K	H R 1/2"		
H R 5/8"	L90K	H R 5/8"		
H R 3/4"	L90K	H R 3/4"		
H R1"	L90K	H R1"		
H R1.1/4"	L90K	H R1.1/4"		
H R1.1/2"	L90K	H R1.1/2"		
H R2"	L90K	H R2"		



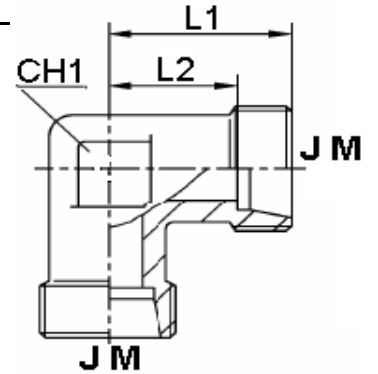
HR okr	L90K	UR
HR 1/4" okr	L90K	UR 1/4"
HR 3/8" okr	L90K	UR 3/8"
HR 1/2" okr	L90K	UR 1/2"
HR 3/4" okr	L90K	UR 3/4"
HR 1" okr	L90K	UR 1"
HR 1.1/4" okr	L90K	UR 1.1/4"
HR 1.1/2" okr	L90K	UR 1.1/2"
HR 2" okr	L90K	UR 2"

- |okretni nipel s ugradenim ležajem



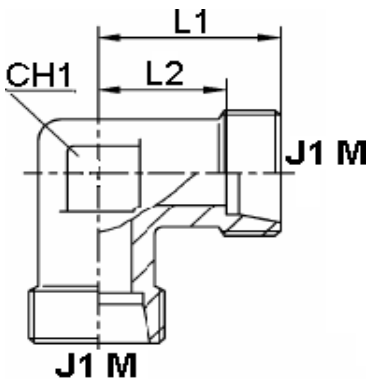
JM L90K JM	XW - LL	-
JM 8x1 L90K JM 8x1	XW 4 - LL	
JM 10x1 L90K JM 10x1	XW 6 - LL	
JM 12x1 L90K JM 12x1	XW 8 - LL	
JM 14x1 L90K JM 14x1	XW 10 - LL	
JM 16x1 L90K JM 16x1	XW 12 - LL	

XW - LL	-
XW 4 - LL	
XW 6 - LL	
XW 8 - LL	
XW 10 - LL	
XW 12 - LL	



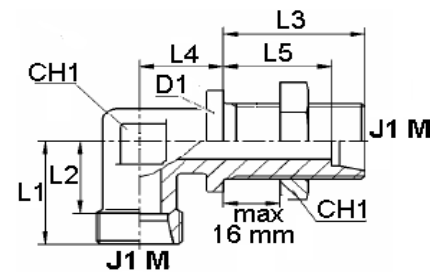
J1 M L90K J1 M	XW - L	-
J1 M12x1,5 L90K J1 M12x1,5	XW 6 - L	
J1 M14x1,5 L90K J1 M14x1,5	XW 8 - L	
J1 M16x1,5 L90K J1 M16x1,5	XW 10 - L	
J1 M18x1,5 L90K J1 M18x1,5	XW 12 - L	
J1 M22x1,5 L90K J1 M22x1,5	XW 15 - L	
J1 M26x1,5 L90K J1 M26x1,5	XW 18 - L	
J1 M30x2 L90K J1 M30x2	XW 22 - L	
J1 M36x2 L90K J1 M36x2	XW 28 - L	
J1 M45x2 L90K J1 M45x2	XW 35 - L	
J1 M52x2 L90K J1 M52x2	XW 42 - L	

XW - L	-
XW 6 - L	
XW 8 - L	
XW 10 - L	
XW 12 - L	
XW 15 - L	
XW 18 - L	
XW 22 - L	
XW 28 - L	
XW 35 - L	
XW 42 - L	



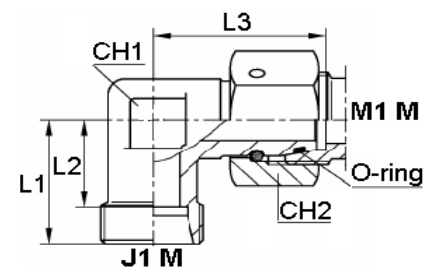
J1 M L90K J1 M p	XWSV - L	-
J1 M12x1,5 L90K J1 M12x1,5 p	XWSV 6 - L	
J1 M14x1,5 L90K J1 M14x1,5 p	XWSV 8 - L	
J1 M16x1,5 L90K J1 M16x1,5 p	XWSV 10 - L	
J1 M18x1,5 L90K J1 M18x1,5 p	XWSV 12 - L	
J1 M22x1,5 L90K J1 M22x1,5 p	XWSV 15 - L	
J1 M26x1,5 L90K J1 M26x1,5 p	XWSV 18 - L	
J1 M30x2 L90K J1 M30x2 p	XWSV 22 - L	
J1 M36x2 L90K J1 M36x2 p	XWSV 28 - L	
J1 M45x2 L90K J1 M45x2 p	XWSV 35 - L	
J1 M52x2 L90K J1 M52x2 p	XWSV 42 - L	

XWSV - L	-
XWSV 6 - L	
XWSV 8 - L	
XWSV 10 - L	
XWSV 12 - L	
XWSV 15 - L	
XWSV 18 - L	
XWSV 22 - L	
XWSV 28 - L	
XWSV 35 - L	
XWSV 42 - L	

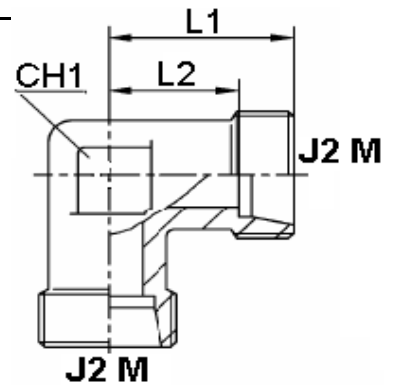


J1 M L90K M1 M	XEW - L	-
J1 M12x1,5 L90K M1 M12x1,5	XEW 6 - L	
J1 M14x1,5 L90K M1 M14x1,5	XEW 8 - L	
J1 M16x1,5 L90K M1 M16x1,5	XEW 10 - L	
J1 M18x1,5 L90K M1 M18x1,5	XEW 12 - L	
J1 M22x1,5 L90K M1 M22x1,5	XEW 15 - L	
J1 M26x1,5 L90K M1 M26x1,5	XEW 18 - L	
J1 M30x2 L90K M1 M30x2	XEW 22 - L	
J1 M36x2 L90K M1 M36x2	XEW 28 - L	
J1 M45x2 L90K M1 M45x2	XEW 35 - L	
J1 M52x2 L90K M1 M52x2	XEW 42 - L	

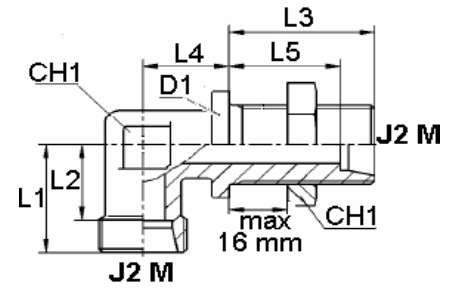
XEW - L	-
XEW 6 - L	
XEW 8 - L	
XEW 10 - L	
XEW 12 - L	
XEW 15 - L	
XEW 18 - L	
XEW 22 - L	
XEW 28 - L	
XEW 35 - L	
XEW 42 - L	



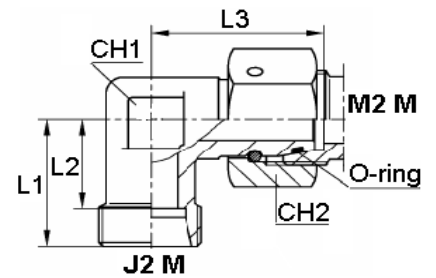
J2 M L90K J2 M	X W - S	-
J2 M14x1,5 L90K J2 M14x1,5	X W 6 - S	
J2 M16x1,5 L90K J2 M16x1,5	X W 8 - S	
J2 M18x1,5 L90K J2 M18x1,5	X W 10 - S	
J2 M20x1,5 L90K J2 M20x1,5	X W 12 - S	
J2 M22x1,5 L90K J2 M22x1,5	X W 14 - S	
J2 M24x1,5 L90K J2 M24x1,5	X W 16 - S	
J2 M30x2 L90K J2 M30x2	X W 20 - S	
J2 M36x2 L90K J2 M36x2	X W 25 - S	
J2 M42x2 L90K J2 M42x2	X W 30 - S	
J2 M52x2 L90K J2 M52x2	X W 38 - S	



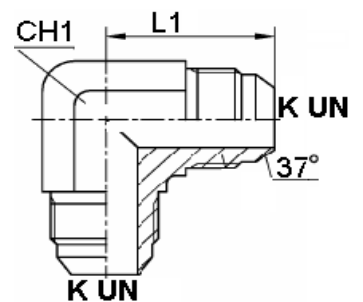
J2 M L90K J2 M p	X WSV - S	-
J2 M14x1,5 L90K J2 M14x1,5 p	X WSV 6 - S	
J2 M16x1,5 L90K J2 M16x1,5 p	X WSV 8 - S	
J2 M18x1,5 L90K J2 M18x1,5 p	X WSV 10 - S	
J2 M20x1,5 L90K J2 M20x1,5 p	X WSV 12 - S	
J2 M22x1,5 L90K J2 M22x1,5 p	X WSV 14 - S	
J2 M24x1,5 L90K J2 M24x1,5 p	X WSV 16 - S	
J2 M30x2 L90K J2 M30x2 p	X WSV 20 - S	
J2 M36x2 L90K J2 M36x2 p	X WSV 25 - S	
J2 M42x2 L90K J2 M42x2 p	X WSV 30 - S	
J2 M52x2 L90K J2 M52x2 p	X WSV 38 - S	



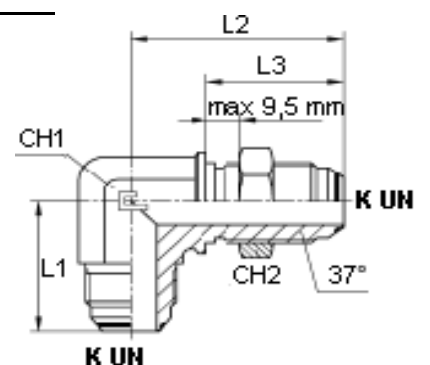
J2 M L90K M2 M	X EW - S	-
J2 M14x1,5 L90K M2 M14x1,5	X EW 6 - S	
J2 M16x1,5 L90K M2 M16x1,5	X EW 8 - S	
J2 M18x1,5 L90K M2 M18x1,5	X EW 10 - S	
J2 M20x1,5 L90K M2 M20x1,5	X EW 12 - S	
J2 M22x1,5 L90K M2 M22x1,5	X EW 14 - S	
J2 M24x1,5 L90K M2 M24x1,5	X EW 16 - S	
J2 M30x2 L90K M2 M30x2	X EW 20 - S	
J2 M36x2 L90K M2 M36x2	X EW 25 - S	
J2 M42x2 L90K M2 M42x2	X EW 30 - S	
J2 M52x2 L90K M2 M52x2	X EW 38 - S	



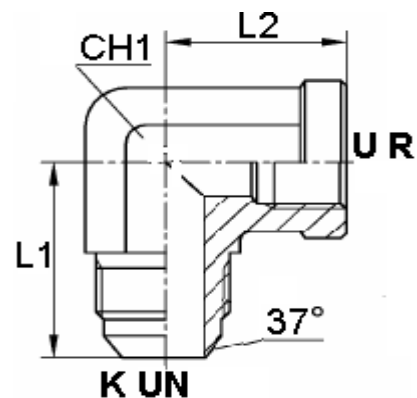
K UN/UNF L90K K UN/UNF	EMTX	-
K UNF 7/16" L90K K UNF 7/16"	4 EMTXS	
K UNF 1/ 2" L90K K UNF 1/ 2"	5 EMTXS	
K UNF 9/16" L90K K UNF 9/16"	6 EMTXS	
K UNF 3/ 4" L90K K UNF 3/ 4"	8 EMTXS	
K UNF 7/ 8" L90K K UNF 7/ 8"	10 EMTXS	
K UN1.1/16" L90K K UN1.1/16"	12 EMTXS	
K UN1.5/16" L90K K UN1.5/16"	16 EMTXS	
K UN1.5/ 8" L90K K UN1.5/ 8"	20 EMTXS	
K UN1.7/ 8" L90K K UN1.7/ 8"	24 EMTXS	



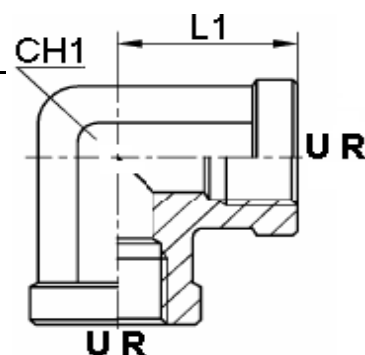
K UN/UNF L90K K UN/UNF p	WEMTX	-
K UNF 7/16" L90K K UNF 7/16" p	4 WEMTXS	
K UNF 1/ 2" L90K K UNF 1/ 2" p	5 WEMTXS	
K UNF 9/16" L90K K UNF 9/16" p	6 WEMTXS	
K UNF 3/ 4" L90K K UNF 3/ 4" p	8 WEMTXS	
K UNF 7/ 8" L90K K UNF 7/ 8" p	10 WEMTXS	
K UN1.1/16" L90K K UN1.1/16" p	12 WEMTXS	
K UN1.5/16" L90K K UN1.5/16" p	16 WEMTXS	
K UN1.5/ 8" L90K K UN1.5/ 8" p	20 WEMTXS	
K UN1.7/ 8" L90K K UN1.7/ 8" p	24 WEMTXS	



K UN/UNF	L90K	UR	-	-
K UNF 7/16"	L90K	UR 1/8"		
K UNF 7/16"	L90K	UR 1/4"		
K UNF 1/ 2"	L90K	UR 1/8"		
K UNF 1/ 2"	L90K	UR 1/4"		
K UNF 9/16"	L90K	UR 1/8"		
K UNF 9/16"	L90K	UR 1/4"		
K UNF 9/16"	L90K	UR 3/8"		
K UNF 3/ 4"	L90K	UR 1/4"		
K UNF 3/ 4"	L90K	UR 3/8"		
K UNF 3/ 4"	L90K	UR 1/2"		
K UNF 7/ 8"	L90K	UR 1/2"		
K UN1.1/16"	L90K	UR 1/2"		
K UN1.1/16"	L90K	UR 3/4"		
K UN1.1/16"	L90K	UR 1"		
K UN1.5/ 8"	L90K	UR 1"		
K UN1.5/ 8"	L90K	UR 1.1/4"		
K UN1.7/ 8"	L90K	UR 1.1/4"		
K UN1.7/ 8"	L90K	UR 1.1/2"		



UR	L90K	UR	-	-
UR 1/8"	L90K	UR 1/8"		
UR 1/4"	L90K	UR 1/4"		
UR 3/8"	L90K	UR 3/8"		
UR 1/2"	L90K	UR 1/2"		
UR 3/4"	L90K	UR 3/4"		
UR 1"	L90K	UR 1"		
UR 1.1/4"	L90K	UR 1.1/4"		
UR 1.1/2"	L90K	UR 1.1/2"		
UR 2"	L90K	UR 2"		



- Napomene :**
- Navedene paralelene oznake tvrtke "Parker" su ERMETO za nipele i redukcije sa glavama J i M sa metričkim navojem prema DIN 2353, TRIPLE-LOK sa glavama D i K s UNF navojem prema SAE J514 (JIC) i O-LOK sa glavama C i G s UNF navojem
  - GB UN/UNF glave karakterizira ravno čelo (bez O-ringa kojeg imaju G UN/UNF/UNS glave), navoj kakav inače imaju K UN/UNF glave i šesterokut sa O-ringom koji omogućava brtvljenje prilikom uvrtnja u "rupe" s unutarnjim navojem.